

Kilichain

GNSS timing antenna

Stable and robuste

Multi-connectin ports for options

Cable length for options

BDS+GPS+Glonass+Galileo



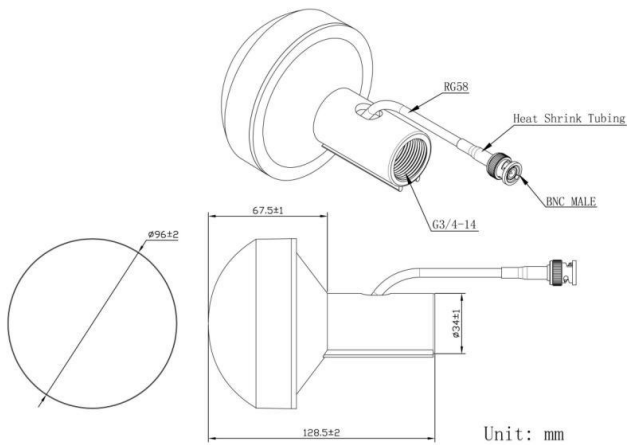
KAN2018

Specifications

Antenna	
Frequency Range	1559.052~1602MHz 1164~1259MHz
Polarization	RHCP
Axial Ratio	≤3dB
V.S.W.R	≤2.0
Peak Gain	≥3dBi
Impedance	50Ω
Horizontal Coverage Angle	360°
Vertical Coverage Angle	5°~90°

LNA	
Gain (GPS, GLONASS, BDS, GALILEO)	B1/L1/G1/E1/E2: 40±2dB B2/L2/G2/L5/E5a/E5b: 42±2dB
Noise Figure	≤1.5dB
Supply Voltage	3.3~12V DC
Current Consumption	≤60mA
V.S.W.R	≤2.0

Dimension



Physicals	
Cable	RG58 or others
Connector	BNC or others
Dimension	Φ96mm
Mounting Method	Screw
Radome Material	ABS
Operating Temperature	-40°C~+85°C
Storage Temperature	-40°C~+85°C
Relative Humidity	Up to 95% (Non condensing)
Ingress Protection	IP67

*All specifications are subject to change without notice.

© 2024 Kilichain (Jiaxing) Technology Co., Ltd. All rights reserved. The Kilichain and Kilichain logo are trademarks of Kilichain (Jiaxing) Technology Co., Ltd. All other trademarks are the property of their respective owners. Revision Apr. 2024.

